



# Aseptic series

## Air operated diaphragm pumps



topflo®

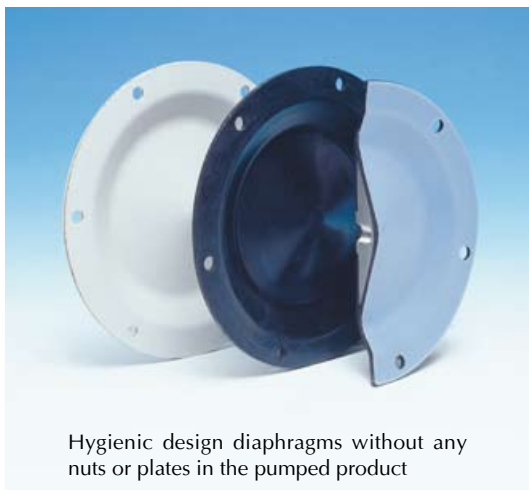


# Aseptic series pumps



## Keeping your process clean

Tapflo Aseptic series pumps are designed for service in pharmaceutical-, biotech- and food industries where a clean process is the key. Tapflo Aseptic series is EHEDG certified, has FDA and USP VI approved materials and conform to the ATEX directive 94/9/EG.



Hygienic design diaphragms without any nuts or plates in the pumped product



Environmental friendly lube free air valve

### Typical applications

**Food & dairy:** Soup, cream, syrup, dairy products, flavoring, alcohol, chocolate, paste

**Pharmaceuticals & cosmetics:** Cream, paste, alcohol and filtration gel

### Features & benefits

- No bacteria growth – no horizontal areas
- Easy cleaning and draining - designed for CIP and SIP cleaning
- Gentle pumping - no damage of sensitive products
- Hygienic surfaces - housings made from electro polished stainless steel AISI 316L, Ra 0.8 (standard) or Ra 0.5 on request
- Wide range of connection types available: TriClamp, sanitary threads (DIN, SMS) etc
- No leakage - no rotating shaft seals
- Flexible installation - self priming
- Safe in explosion hazardous areas – conform with the ATEX directive
- Reliable in service – can run dry and against closed valve without damage



Smooth surfaces and clean ability are important keys for the EHEDG certification

## The EHEDG certificate

The EHEDG (European Hygienic Engineering & Design Group) certificate is your guarantee that the design is according to the hygienic guidelines. Furthermore the pump is clean ability tested, which means bacteria does not grow in the pump after cleaning and draining procedure.



## Technical data & dimensions

Data		
Model	TX94	TX144
Max flow	94 l/min	144 l/min
Max pressure	8 bar	8 bar
Max air pressure	8 bar	8 bar
Dry suction lift	2 m	3 m
Max solid size	6 mm, bigger if soft	6 mm, bigger if soft
Temperature	-20° ... +110°C (temporary higher)	
Weight	15 kg	22 kg
Connections	Triclamp (standard), SMS, DIN and RJT threads, DIN 11864 clamp	
ATEX details	Group II, cat 2, T4	

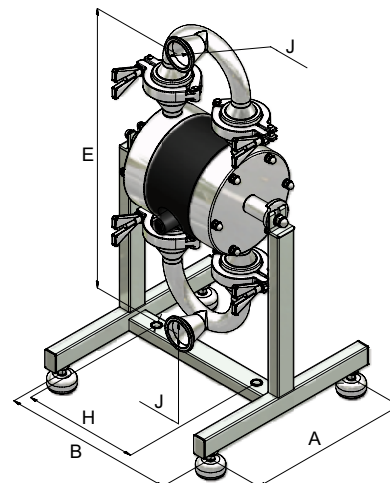
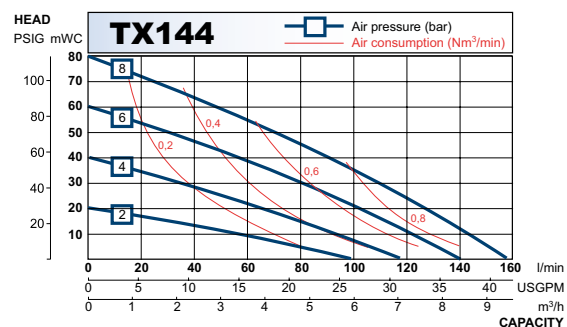
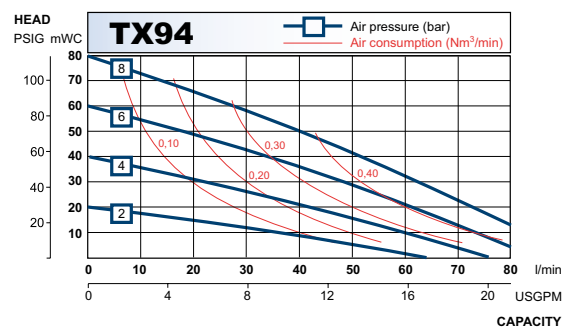
### Materials and options

Housing, manifolds	AISI 316L, Ra 0.8 Ra 0.5 on request
Diaphragms	PTFE (FDA & USP VI) EPDM (FDA on request) White EPDM (FDA) PTFE with white back (FDA & USP VI)
Valves (ball type)	PTFE (FDA) PTFE (USP VI & FDA) EPDM (FDA on request) AISI 316L
O-rings	EPDM (FDA) EPDM (USP VI & FDA) FEP/FKM (FDA)
Options	Backup diaphragm system

### Dimensions (mm)

A	260	280
B	275	278
E	447	488
H	185	188
J	DN 40	DN 50

### Performance curves



Changes reserved without notice

www.tapflo.com

Tapflo is represented in more than 40 countries worldwide. Visit our website for updated information.



## Tapflo offices

### Belarus

Tapflo Belarus  
Tel: +375 17 3121370  
Fax: +375 17 3121370

### Bulgaria

Tapflo EOOD  
Tel: +359 (0) 888 765 288  
Fax: +359 (2) 974 18 54

### Czech & Slovakia

Tapflo s.r.o.  
Tel: +420 734 49381  
Fax: +420 548 138661

### China

Tapflo (Wuxi)  
Tel: +86 510 8241 7602  
Fax: +86 510 8241 6807

### Denmark

Tapflo Danmark  
Tel: +45 36 454600  
Fax: +45 36 453500

### France

Tapflo France  
Tel: +33 1 34 78 82 40  
Fax: +33 1 34 78 82 41

### India

Tapflo Pumps (India)  
Tel: +91 44 42103695  
Fax: +91 44 26203479

### Ireland

Tapflo Ireland Ltd  
Tel: +353 1 2011911  
Fax: +353 1 2011912

### Italy

Tapflo Italia  
Tel: +39 0362307698  
Fax: +39 0362307697

### Kazakhstan

Tapflo Kazakstan  
Tel: +7 702 626 7997  
Fax: +7 702 626 7997

### Latvia

Tapflo Latvia  
Tel: +371 7472205  
Fax: +371 29288837

### Poland

Tapflo Sp. z o.o.  
Tel: +48 58 5301181  
Fax: +48 58 5324767

### Romania

S.C. Tapflo Rom. S.r.l.  
Tel: +40 21 3451255  
Fax: +40 21 3451166

### Russia

OOO Tapflo  
Tel: +7 095 2411017  
Fax: +7 095 2411017

### Spain

Tapflo Iberica  
Tel: +34 91 8093182  
Fax: +34 91 8093157

### South Africa

Tapflo (Pty) Ltd  
Tel: +27 41 5831412  
Fax: +27 41 5831704

### Turkey

Tapflo Makina Ltd  
Tel: +90 216 467 33 11  
Fax: +90 216 467 33 42

### Ukraine

TOB Tapflo  
Tel: +380 44 222 68 44  
Fax: +380 44 222 68 45

### United Kingdom

Tapflo (UK) Ltd  
Tel: +44 2380 252325  
Fax: +44 2380 269016

# tapflo®

## Swedish office

### Tapflo AB

Filaregatan 4, S-442 34 Kungälv, Sweden  
Tel: +46 303 63390, Fax: +46 303 19916  
E-mail: sales@tapflo.com, internet: www.tapflo.com